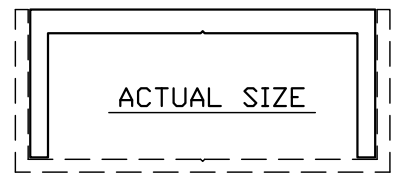
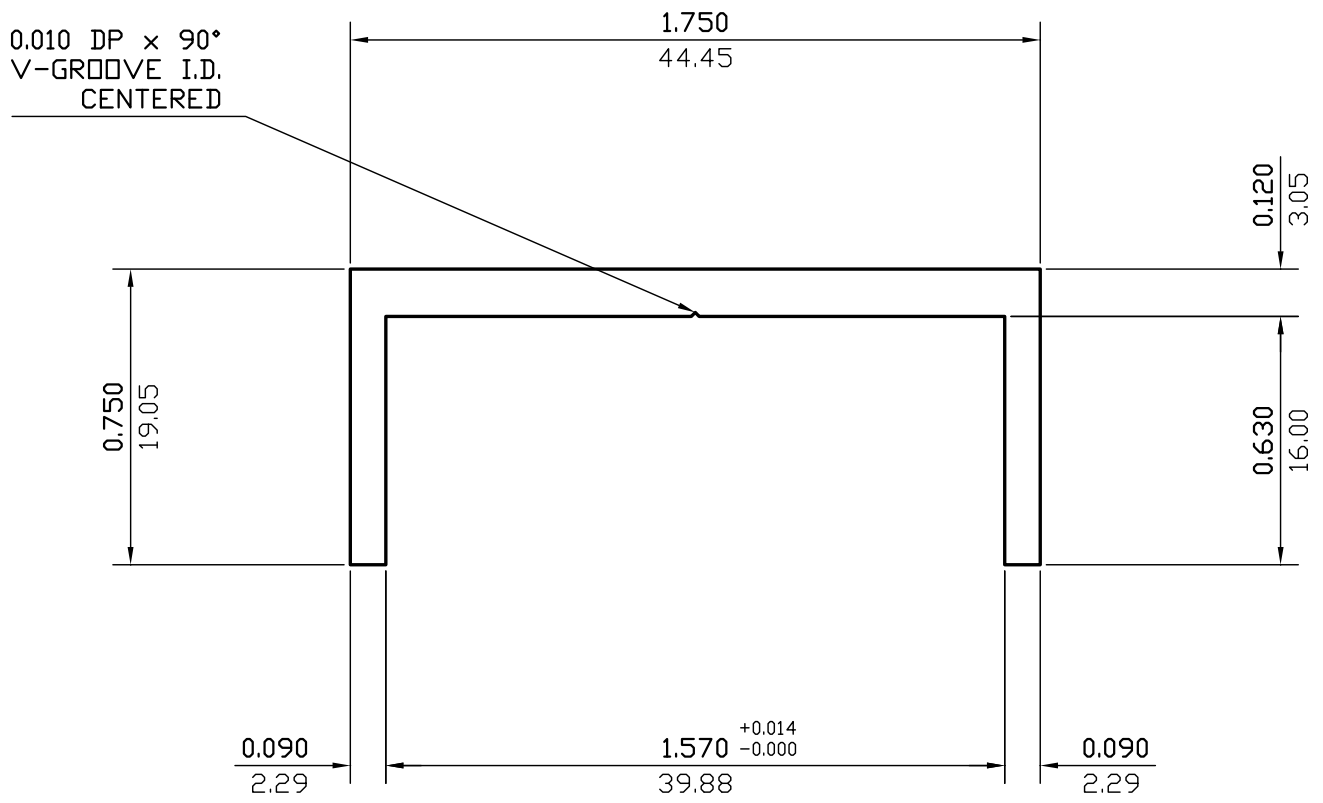


NOTE: BREAK ALL CORNERS WITH 0.015" (.38 MM) RADIUS UNLESS OTHERWISE NOTED. STANDARD TOLERANCES TO APPLY UNLESS OTHERWISE SPECIFIED.

CUSTOMER PART No.	CAN ART STD.	DIE No. ES05480
DESCRIPTION 1-3/4" x 3/4" x 0.120" CHANNEL		PROPOSAL No. S-3380



THIS SHAPE TO SLIDE FIT
w/ ES05415 (S-3018)

WALL THICKNESS (AS SHOWN) EXCEPT AS SHOWN

DATE	REV	DESCRIPTION	BY
03/20/23	2	REMOVED ALLOY	JASON
08/23/99	1	REDRAWN	P.M.
EST.AREA	0.323	IN. ²	EST.AREA 209
			MM. ²
EST.WT.	0.381	LBS./FT.	EST.WT. 0.568
			KG/M.
EST.PER.	6.268	IN.	EST.PER. 159.2
			MM.
OUT PER.		IN.	OUT PER.
			MM.
C.C.D.	1.904	IN.	C.C.D. 48
			MM.
FACTOR 16	FINISH M/F	ALLOY & TEMP.	
CKD BY	SCALE 2:1	DWN BY C.P.	DATE 11/29/93

CAN ART

ALUMINUM EXTRUSION INC.

85 PARKSHORE DRIVE
BRAMPTON, ONT L6T 5M1
TEL. NO. (905) 791-1464
FAX NO. (905) 791-9151
E-MAIL: canart@canart.com

THIS DRAWING IS NOT NECESSARILY A COPY OF YOUR ORIGINAL. PLEASE APPROVE DIMENSIONS AND TOLERANCES INDICATED. CAN ART ASSUMES NO RESPONSIBILITY EITHER TECHNICAL OR LEGAL FOR HAVING THIS SHAPE MADE. THE CUSTOMER AGREES TO FULLY PROTECT CAN ART ALUMINUM FROM CLAIMS OF OTHERS RESULTING FROM THIS SHAPE.

SIGNED: _____ DATE: _____